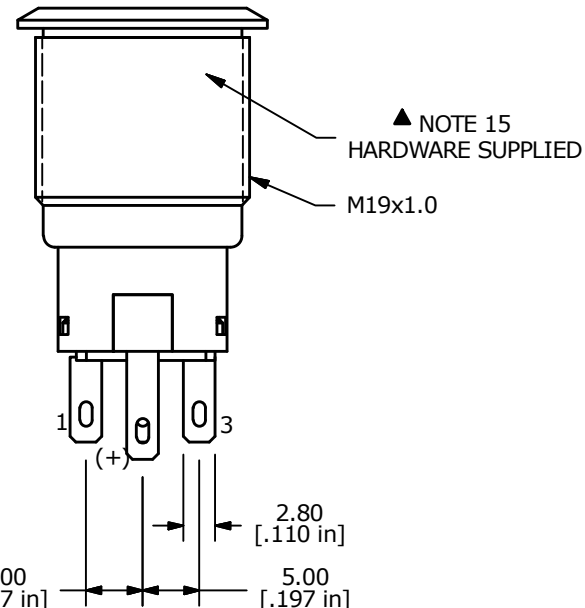
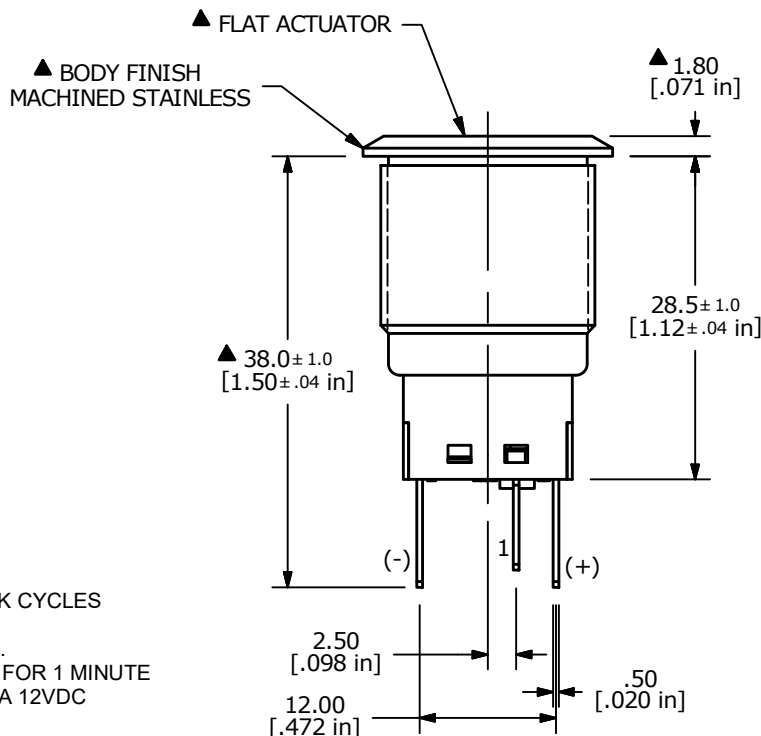
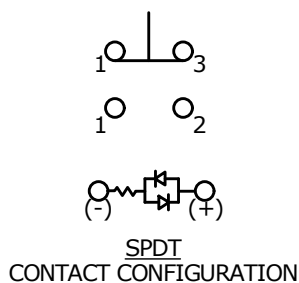
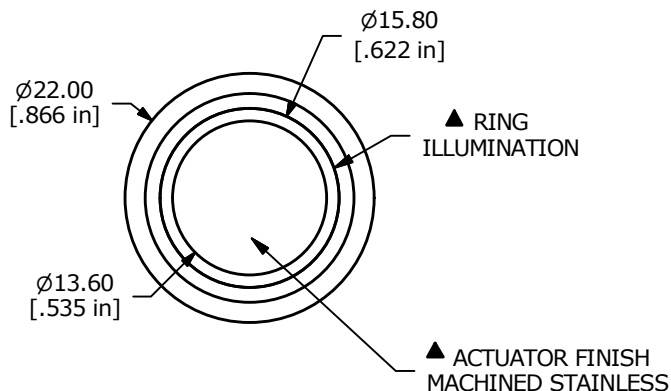


SWITCH FUNCTION	
POS. 1	POS. 2
ON	(ON)
1-3	1-2

(ON) = MOMENTARY



- NOTE:
1. ALL DIMENSIONS IN MM [INCH]
 2. GENERAL TOLERANCE: X.X=±0.4
X.XX=±0.25
 3. TERMINAL NUMBERS FOR REF ONLY
 - ▲ 4. INTERNAL CONTACT MATERIAL: GOLD
 5. RATING: 2A 24VDC
 6. ELECTRIC LIFE: 50,000 MAKE-AND-BREAK CYCLES AT FULL LOAD.
 7. INSULATION RESISTANCE: 1,000 MΩ MIN.
 8. DIELECTRIC STRENGTH: 2,000 VAC MIN. FOR 1 MINUTE
 9. CONTACT RESISTANCE: 50mΩ MAX. @ 1A 12VDC
 10. OPERATING TEMP.: -20°C to 55°C
 - ▲ 11. TRAVEL: 2.8mm
 12. ▲ DENOTES CRITICAL PARAMETER.
 - ▲ 13. LAMP VOLTAGE: 12V
 14. INGRESS PROTECTION: IP65
 15. HARDWARE SUPPLIED: O-RING AND HEXNUT
 - ▲ 16. ILLUMINATION COLOR: ORANGE (ORANGE FORWARD / ORANGE REVERSE)



B	23601	UPDATED RATING TO 2A @ 24VDC	10/9/18	MJR
A	21102	RELEASE FOR PRODUCTION	4/18/13	EBP
REV	PCR NO	DESCRIPTION	DATE	BY

TITLE PV4F2B0SSG-324				
SCALE 3:2	DATE 4/18/2013	DR EBP	DWG 52-PV4F2B0SSG324	REV B

THE INFORMATION CONTAINED IN THIS DOCUMENT IS PROPRIETARY TO E-SWITCH AND IS NOT TO BE COPIED OR TRANSFERRED